



4 pt. Analog In/4 pt. Analog Out Module (Voltage) Isolated

Module Specifications		
Analog Voltage Input Specs	Number of Channels	4 single ended
	Input Range	0-5, 0-10V DIP switch selectable
	Resolution	12 bit (1-4096)
	Step Response	200µs to 95% of FS
	Crosstalk	1/2 count max, -80db
	Input Impedance	>20KΩ
	Absolute Max Ratings	± 15V
	Converter Type	successive approximation
	Linearity Error (end to end)	± 2 count
	Input Stability	± 2 count
	Gain Error	± 2 counts
	Offset Calibration Error	± 5 counts
Max Inaccuracy	± 0.2% at 25°C, ± 0.4% at 0-60°C	
Accuracy vs. Temperature	± 50 ppm/°C typical	
Analog Voltage Output Specs	Number of Channels	4 single ended (1 common)
	Output Range	0-5 VDC, 0-10 VDC (DIP switch selectable)
	Resolution	12 bits (1 in 4096)
	Conversion Setting Time	100 µs for FS
	Crosstalk	1/2 count max, -80db
	Peak Output Voltage	± 18 VDC
	Offset Error	± 0.15% of range
	Gain Error	± 0.3% of range
	Linearity Error (end to end)	± 1 count
	Output Stability	± 2 counts
	Load Impedance	2k Ω min.
	Load Capacitance	.01 microF max
Accuracy vs. Temperature	± 50 ppm/C typical	

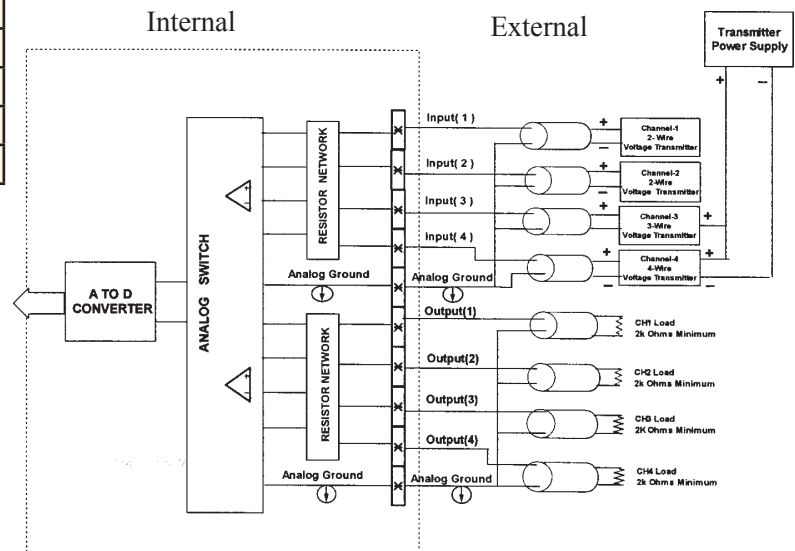
EZIOP-4ANI4ANOVI
Screw-down



Delivery Code
STK

Pinout Information	
Pin No.	EZIOP-4ANI4ANOVI
1	Output(1)
2	Output(2)
3	Output(3)
4	Output(4)
5	Customer_COM (Analog GND)
6	Input(1)
7	Input(2)
8	Input(3)
9	Input(4)
10	Customer_COM (Analog GND)
11	Not Connected

Terminal Block
300 Volt/10 Amp/14AWG
UL Rating



For EZ-LINK cables and Terminal boards look at page 4-5