

# *EZTouch mini.PLC*® Specification Sheet

| EZTouch.mini.PLC Model Specifications |  |  |
|---------------------------------------|--|--|
| Model                                 | 3.5" EZTouchminiPLC  | 6" EZTouchminiPLC                                      |
| Part Number                           | EZ-T4C-MINIPLC<br>EZ-T4C-MINIPLC-E   | EZ-T6C-MINIPLC<br>EZ-T6C-MINIPLC-E                     |
| Total I/Os                            | Fixed I/O PLC, 12 DC Inputs (250 KHz Quadrature Encoder input configurable),<br>8 DC Sourcing Outputs, 4 Relay Outputs, 2 Analog In (0-10V), 1 Analog Out (0-10V)                            |  |
| Digital Inputs                        | 4 configurable Sinking or Sourcing <u>electrically isolated</u> inputs, 8 Sourcing inputs<br>(3 inputs configurable for a Counter Quadrature input with A, B, and RST signals up to 250 KHz) |  |
| Digital Outputs                       | 8 Sourcing Outputs (50 V, 500mA per output, Short Circuit Proof with Fly Back Diodes and Overload Protection)  |  |
| Relay Outputs                         | 4 Relay Outputs (1 Form C Relays rated at 5 Amps each with RC Snubber Protection)  |  |
| Analog I/Os                           | 2 Analog In (0-10V), 1 Analog Out (0-10V) - 12 bit Resolution (0 to 4095)  |  |
| Display Type                          | 3.5" TFT / 5.7" TFT (128 Color Palette)  |  |
| Brightness/Life                       | 400 nits / 75,000 hours@55 °C (White LED)  |  |
| Screen Resolution                     | 320 x 240  |  |
| Touch Screen                          | 48 Resistive Touch Cell (8x6)  |  |
| Num of Display Screens                | Up to 999 Limited by display memory  |  |
| Display Screen Saver                  | Yes, Backlight Off   |  |
| Maximum Power Consumption             | Backlight ON: 12 Watts @ 24VDC, All I/O ON max power 30 Watts  |  |
| PLC Features                          | Full Featured with Free-Flow Ladder Logic, Function Blocks, Advanced Math and Auto-Tuned PID control   |  |
| # of PLC Registers                    | Non-volatile registers/Bits: 8192 16Bit, Registers: 256, S-bits: 128   |  |
| PLC Typical Scan Time                 | 5ms  |  |
| Real Time Clock/Cal.                  | Built-In, Lithium coin cell battery with 5 year life expectancy, with a low battery indicator  |  |
| PLC LED Indicators                    | Input Power, CPU Status  |  |
| Electrical Noise                      | Nema ICS 2-230 Showering arc; ANSI C37.90a SWC; Level C Chattering Relay Test  |  |
| Withstand Voltage                     | 1000VDC (1 minute) between power supply input terminal and protective ground)  |  |
| Insulation Resistance                 | Over 20M Ohm between power supply input and terminal and protective ground   |  |
| Enclosure                             | Nema 4, 4x (indoor)  |  |
| Operating Temperature                 | 0 to 55°C (32 to 131°F)  |  |
| Storage Temperature                   | -20 to 60°C (-4 to 140°F)  |  |
| Vibration                             | 5 to 55Hz 2G's for 2 hours in X,Y, and Z axis  |  |
| Shock                                 | 10G for under 12ms in the X,Y, and Z axis  |  |
| Humidity                              | 10-95% RH, Non-Condensing  |  |
| Communication Ports                   | Built-in 9-pin D Sub (female) RS232/485/422 and Ethernet Ports (optional model)  |  |
| Agency Approval                       | UL, CUL, CE  |  |
| External Dimensions                   | 5.06" x 4.08" x 1.783"<br>(129 x 104 x 45.3mm)   | 8.050" x 6.150" x 2.8"<br>(204.47 x 156.21 x 71.12 mm) |
| Weight                                | 2 lbs  |  |

# EZTouch mini.PLC® 4" TFT Color

## 4" Color EZTouch.mini.PLC (3.5" TFT) Overview

EZTouchminiPLC is an engineering marvel with a 3.5" TFT Color HMI Touchscreen + Full Blown PLC + 27 I/O points great for all types of control applications.

The EZTouchminiPLC offers advanced HMI functions including great graphics, animation, data logging, alarm management, Advanced PLC ladder instructions and function blocks.

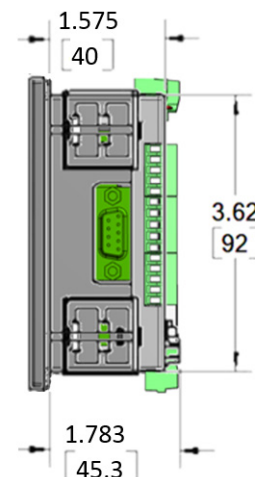
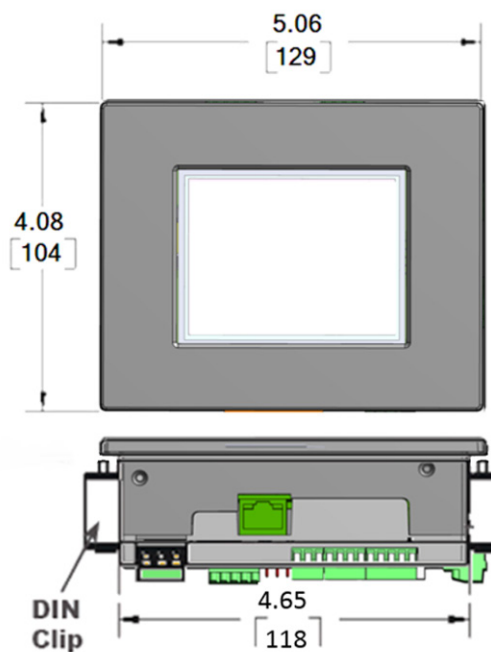
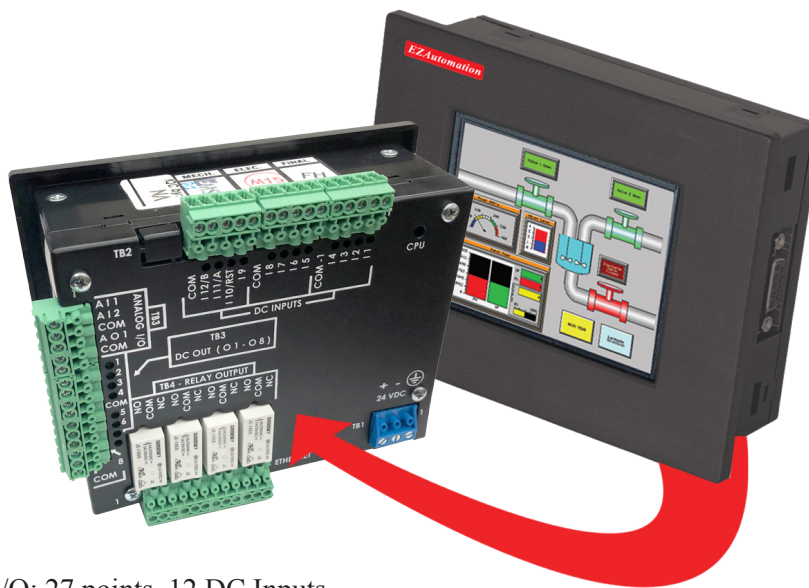
### Features:

#### HMI:

- 3.5" TFT Color Touchscreens
- Built-in Image Library (4000+ Symbols)
- Advanced Alarm Messages & Screens
- Email & Text Message Alerts
- Trending Graphs
- Data logging
- Up to 999 User designed screens
- Patented Online Edit of HMI (No Machine Downtime, Edit on the Fly) Ethernet Port for Remote Access and connectivity to PLCs, AC Drives, or 3rd party devices
- Dual Driver Support to simultaneously interface with Major Brand PLCs or AC Drives (Allen Bradley, ABB, Omron, Siemens, Mitsubishi, Automation Direct etc.)

#### PLC:

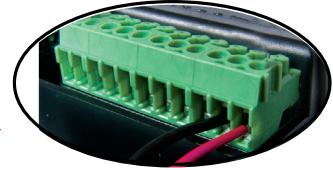
- Total I/O: 27 points. 12 DC Inputs (250 KHz Quadrature Encoder input configurable), 8 DC Sourcing Outputs, 4 Relay Outputs, 2 Analog In (0-10V), 1 Analog Out (0-10V)
- Auto-tuned PID,
- Advanced Math Function Blocks
- Recipe Editing
- Date, Time and Event Based Control
- Advanced Ladder Logic Instruction Set
- Quadrature Input for High Speed Counter up to 250 KHz



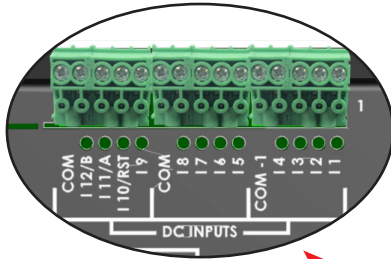
| Part Number             | Description  | Price   |
|-------------------------|--|---------|
| <b>EZ-T4C-MINIPLC</b>   | 3.5" TFT Color, 12 DC Inputs, 8 DC Sourcing Outputs, 4 Relay Outputs (5 Amp each), 2 Analog In (0-10V), 1 Analog Out (0-10V)               | See Web |
| <b>EZ-T4C-MINIPLC-E</b> | 3.5" TFT Color, 12 DC Inputs, 8 DC Sourcing Outputs, 4 Relay Outputs (5 Amp each), 2 Analog In (0-10V), 1 Analog Out (0-10V) with Ethernet |         |

# 3.5" EZTouch.mini.PLC Status Indicators and Connections

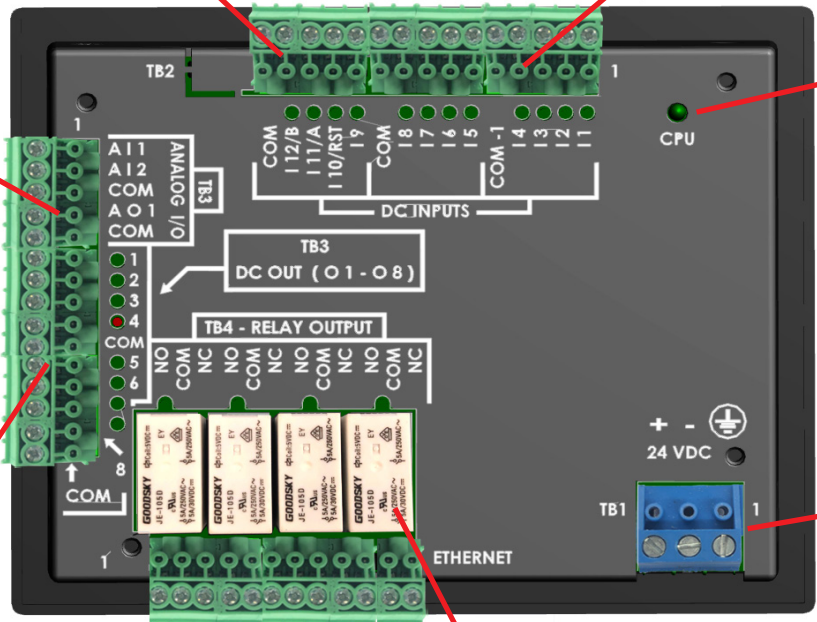
**EZ to Wire Phoenix Plug-in Terminals**



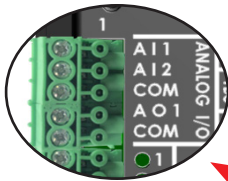
1.14 AWG, 2 18 AWG,  
4 22 AWG wires per terminal



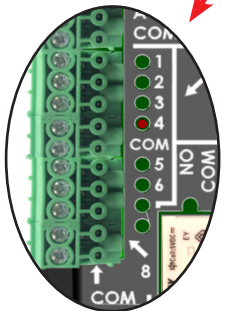
**12 Digital Inputs, including a high speed quadrature counter input with LED indicators**



**CPU LED indicator** powers ON when communication to HMI and Status indicator

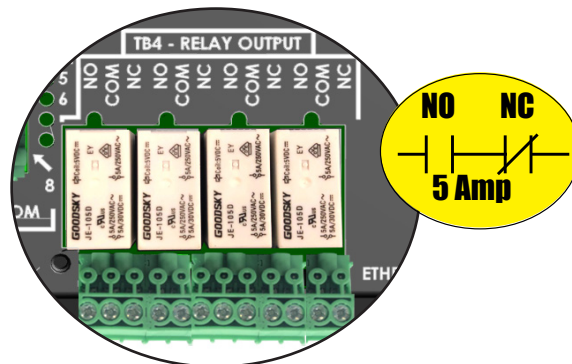


**2 Analog Inputs & 1 Analog Output**



**8 Digital Outputs, with LED indicators**

**24 VDC power input**



**4 Relay (1 form C 5 Amp) Output**  
Used to drive output devices up to 5Amps

EZSeries  
TouchPLC