

EZMarquee - 1 Line 20 Characters (Outdoor)

1 Line 20 Characters - NEMA 4X

The 1 Line 20 Char EZMarquee can hold up to a maximum of 20 characters (2") per line and features 1 line of RED/Tri-Color LEDs. EZMarquees are enclosed in NEMA 4X extruded aluminum housing with NEMA ICS 2-230 level of electrical noise immunity.

All 1 Line 20 Character models are capable of communicating over RS232 and RS422/485 along with different models for Ethernet, DeviceNet and Profibus connectivity.

Characteristics:

Character Height:	2"
Characters per Line:	20
Number of Lines:	1
Visibility:	100'

1 Line 20 Characters feature:

- 1 line of 10 characters max
- Pre-matched LEDs
- 24 Hour Burn-In tested
- International Character Set
- Hang Mounting
- NEMA 4/4X Outdoor Housing
- NEMA ICS 2-230
- 110/220 VAC Power Input
- Surge Protection
- 100,000+ Hours Rated Life

See the different communication interface options available in the charts below



RED Outdoor



TRI color Outdoor

Model Number	Interface	Price	Del.
EZMR-1L20C-OUT	RS232 and RS422/485 only	See Web	STK
EZMR-1L20C-E-OUT	Ethernet included		3DAY
EZMR-1L20C-D-OUT	DeviceNet included		3DAY
EZMR-1L20C-P-OUT	Profibus included		3DAY

Model Number	Interface	Price	Del.
EZMT-1L20C-OUT	RS232 and RS422/485 only	See Web	STK
EZMT-1L20C-E-OUT	Ethernet included		3DAY
EZMT-1L20C-D-OUT	DeviceNet included		3DAY
EZMT-1L20C-P-OUT	Profibus included		3DAY

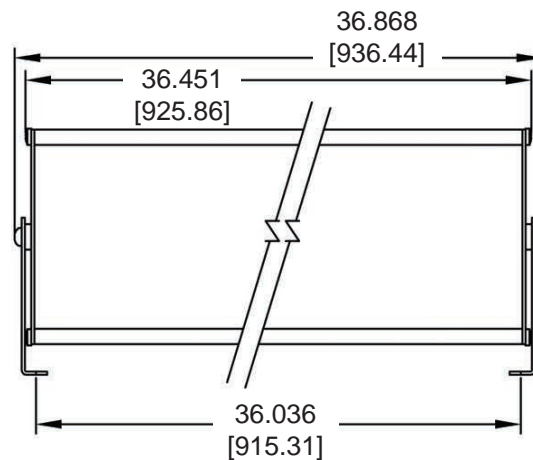
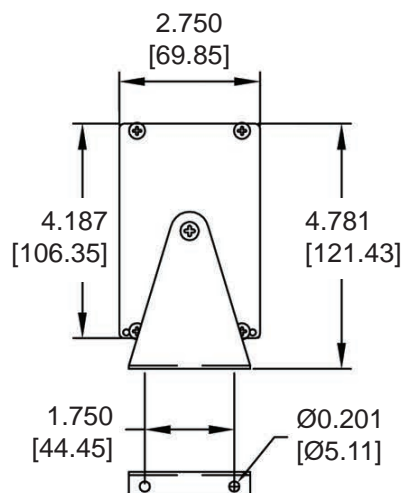
RED Outdoor Highbright

Model Number	Interface	Price	Del.
EZMRH-1L20C-OUT	RS232 and RS422/485 only	See Web	STK
EZMRH-1L20C-E-OUT	Ethernet included		3DAY
EZMRH-1L20C-D-OUT	DeviceNet included		3DAY
EZMRH-1L20C-P-OUT	Profibus included		3DAY

TRI color Outdoor High-Bright

Model Number	Interface	Price	Del.
EZMTH-1L20C-OUT	RS232 and RS422/485 only	See Web	STK
EZMTH-1L20C-E-OUT	Ethernet included		3DAY

1 Line 20 Characters Dimensions



MOUNTING HOLE CENTERS



EZMarquee 1 Line 20 Character and 1 Line 40 Character Selection Guide and Specifications (Outdoor)

EZ Marquee Outdoor Model Specifications				
Part Number	EZMR-1L20C-OUT EZMR-1L20C-E-OUT EZMR-1L20C-D-OUT EZMR-1L20C-P-OUT EZMRH-1L20C-OUT EZMRH-1L20C-E-OUT EZMRH-1L20C-D-OUT EZMRH-1L20C-P-OUT	EZMT-1L20C-OUT EZMT-1L20C-E-OUT EZMT-1L20C-D-OUT EZMT-1L20C-P-OUT EZMTH-1L20C-OUT EZMTH-1L20C-E-OUT	EZMR-1L40C-OUT EZMR-1L40C-E-OUT EZMR-1L40C-D-OUT EZMR-1L40C-P-OUT EZMRH-1L40C-OUT EZMRH-1L40C-E-OUT EZMRH-1L40C-D-OUT EZMRH-1L40C-P-OUT	EZMT-1L40C-OUT EZMT-1L40C-E-OUT EZMT-1L40C-D-OUT EZMT-1L40C-P-OUT EZMTH-1L40C-OUT EZMTH-1L40C-E-OUT
Display Type for Indoor	RED LED	TRI-Color LED	RED LED	TRI-Color LED
Display Type for "H"	RED Sunlight Readable 8000 nits		RED Sunlight Readable 8000 nits	
Specification	1 Line of 20 Char (2")		1 Lines of 40 Char (2")	
Max. Viewable Distance	100 Feet with 2" Characters		200 Feet with 4" Characters	
Power Consumption	15 watts	28 watts	30 watts	60 watts
Agency Approvals	UL, CUL, CE, pending			
Enclosure	NEMA 4/4X (Outdoor rated)			
Operating Temperature	-20° to 60° C Ambient			
Storage Temperature	-40° to 95° C Ambient			
Humidity	10% to 95% RH, Non-Condensing			
Input Power	110/220 VAC, 47-63Hz			
Electrical Interference	NEMA ICS 2-230 Showering Arc Test			
Electrical Tolerance	ANSI C37.90a-1974 (SWC) Surge With-Stand Capability Test			
Vibration	5 - 55 Hz 2G for 2 hours in the X, Y, and Z axis			
Shock	10G for under 12ms in the X, Y, and Z axis			
Serial Communications	Port 1 RS232; Port 2 RS422/485			
External Dimensions	36.9" x 4.8" x 2.8" (936.44 x 121.43 x 69.85mm)		72.1" x 5.4" x 2.8" (1831.31 x 106.35 x 69.85mm)	
Weight	4.5 lbs	4.8 lbs	8 lbs	8.5 lbs