

EZMarquee - 4 Lines 40 Characters (Indoor)

4 Lines 40 Characters - NEMA 12

The 4 Line 40 Char EZMarquee can hold up to a maximum of 40 characters (2") per line and features 4 lines of RED/Tri-Color LEDs. EZMarquees are enclosed in NEMA 12 extruded aluminum housing with NEMA ICS 2-230 level of electrical noise immunity.

All 4 Line 40 Character models are capable of communicating over RS232 and RS422/485 along with different models for Ethernet, DeviceNet and Profibus connectivity.

Characteristics:

Character Height:	2" / 4" / 6" / 8"
Characters per Line:	40 / 20 / 13 / 10
Number of Lines:	4 / 2 / 1 / 1
Visibility:	100' / 200' / 300' / 400'

4 Lines 40 Characters feature:

- 4 lines of 40 characters max
- Pre-matched LEDs
- 24 Hour Burn-In tested
- International Character Set
- Hang Mounting
- NEMA 12 Housing
- NEMA ICS 2-230
- 110/220 VAC Power Input
- Surge Protection
- 100,000+ Hours Rated Life

See the different communication interface options available in the charts below



RED Indoor

TRI color Indoor

Model Number	Interface	Price	Del.
EZMR-4L40C	RS232 and RS422/485 only	See Web	3DAY
EZMR-4L40C-E	Ethernet included		3DAY
EZMR-4L40C-D	DeviceNet included		3DAY
EZMR-4L40C-P	Profibus included		3DAY

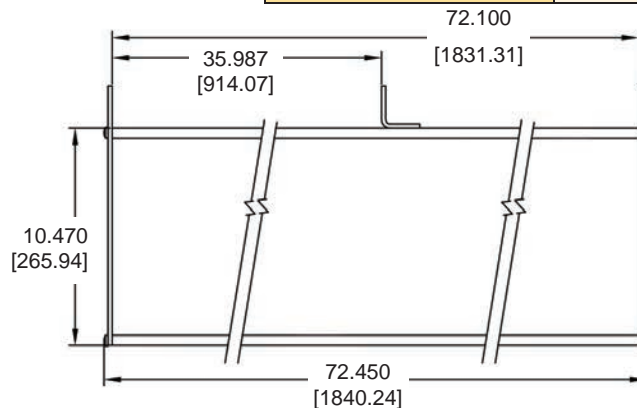
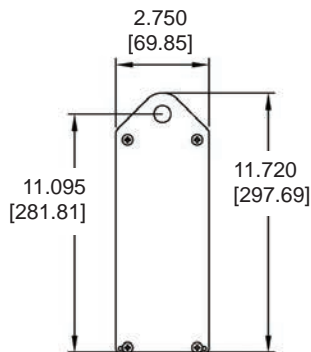
Model Number	Interface	Price	Del.
EZMT-4L40C	RS232 and RS422/485 only	See Web	3DAY
EZMT-4L40C-E	Ethernet included		3DAY
EZMT-4L40C-D	DeviceNet included		3DAY
EZMT-4L40C-P	Profibus included		3DAY

RED High-bright

TRI color Indoor High-Bright

Model Number	Interface	Price	Del.
EZMRH-4L40C	RS232 and RS422/485 only	See Web	3DAY
EZMRH-4L40C-E	Ethernet included		3DAY
EZMRH-4L40C-D	DeviceNet included		3DAY
EZMRH-4L40C-P	Profibus included		3DAY

Model Number	Interface	Price	Del.
EZMTH-4L40C	RS232 and RS422/485 only	See Web	STK
EZMTH-4L40C-E	Ethernet included		3DAY



4 Lines 40 Characters Dimensions



EZMarquee 4 Line 20 Character and 4 Line 40 Character Selection Guide and Specifications (Indoor)

EZ Marquee Indoor Model Specifications				
Part Number	EZMR-4L20C EZMR-4L20C-E EZMR-4L20C-D EZMR-4L20C-P EZMRH-4L20C EZMRH-4L20C-E EZMRH-4L20C-D EZMRH-4L20C-P	EZMT-4L20C EZMT-4L20C-E EZMT-4L20C-D EZMT-4L20C-P EZMTH-4L20C EZMTH-4L20C-E	EZMR-4L40C EZMR-4L40C-E EZMR-4L40C-D EZMR-4L40C-P EZMRH-4L40C EZMRH-4L40C-E EZMRH-4L40C-D EZMRH-4L40C-P	EZMT-4L40C EZMT-4L40C-E EZMT-4L40C-D EZMT-4L40C-P EZMTH-4L40C EZMTH-4L40C-E
Display Type for Indoor	RED LED	TRI-Color LED	RED LED	TRI-Color LED
Display Type for "H"	RED Sunlight Readable 8000 nits		RED Sunlight Readable 8000 nits	
Specification	4 Lines of 20 Char (2")		4 Lines of 40 Char (2")	
Max. Viewable Distance	400 Feet with 8" Characters			
Power Consumption	55 watts	100 watts	100 watts	180 watts
Agency Approvals	UL, CUL, CE, pending			
Enclosure	NEMA 12 (Indoor only)			
Operating Temperature	-20° to 60° C Ambient			
Storage Temperature	-40° to 95° C Ambient			
Humidity	10% to 95% RH, Non-Condensing			
Input Power	110/220 VAC, 47-63Hz			
Electrical Interference	NEMA ICS 2-230 Showering Arc Test			
Electrical Tolerance	ANSI C37.90a-1974 (SWC) Surge With-Stand Capability Test			
Vibration	5 - 55 Hz 2G for 2 hours in the X, Y, and Z axis			
Shock	10G for under 12ms in the X, Y, and Z axis			
Serial Communications	Port 1 RS232; Port 2 RS422/485			
External Dimensions	36.577" x 11.720" x 2.750" (929.06 x 297.69 x 69.85mm)		72.450" x 11.720" x 2.750" (1840.24 x 297.69 x 69.85mm)	
Weight	15 lbs	16 lbs	30 lbs	32 lbs