



Programmable Time Delay Relay with Display, One model for All Timers

Features:

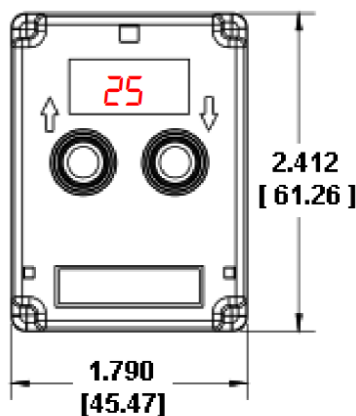
- Time delay relay with 3-digit LED display to set and monitor time.
- Push Buttons to set time very accurately. No guess work to set time
- Digital time setting to 1% instead of best guess of a knob setting of 10%
- One standard model to set time ranging from 0.01 Sec - 999 Hrs
- 1 TMM model can replace hundreds of different timers
- 1% resolution, 1% absolute accuracy and 0.1% repeat accuracy over the entire operating temperature range.
- Password protection for unauthorized access
- 3.553" depth instead of 4.28" in TDRs with knob
- Industry standard octal pins and 10 Amp relay contacts



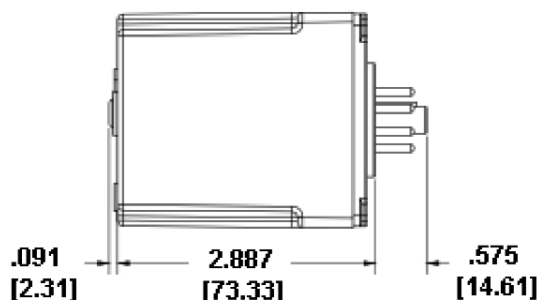
**12V DC, 24V DC,
120 VAC, or 240 VAC**

Model	Function	Price	Del.
T1, T2, T3 Timers	On-delay, Off-delay, and Interval Timers	See Web	STK
CKK Timer	Repeat Cycle Timer		STK
Multi-function Timer	One timer for all 4 functions of On-delay, Off-delay, Cycle Timer and Interval Timer		STK

Dimensions



FRONT VIEW



SIDE VIEW

EZ Timer Sockets



EZ-TMRSKT-8PIN



EZ-TMRSKT-11PIN