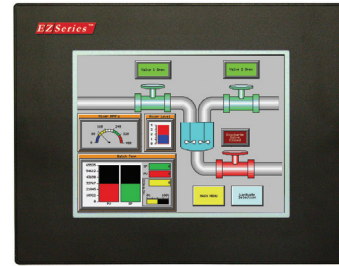


EZTouch Original 3.5" TFT Panel

EZTouch Original 3.5" features:

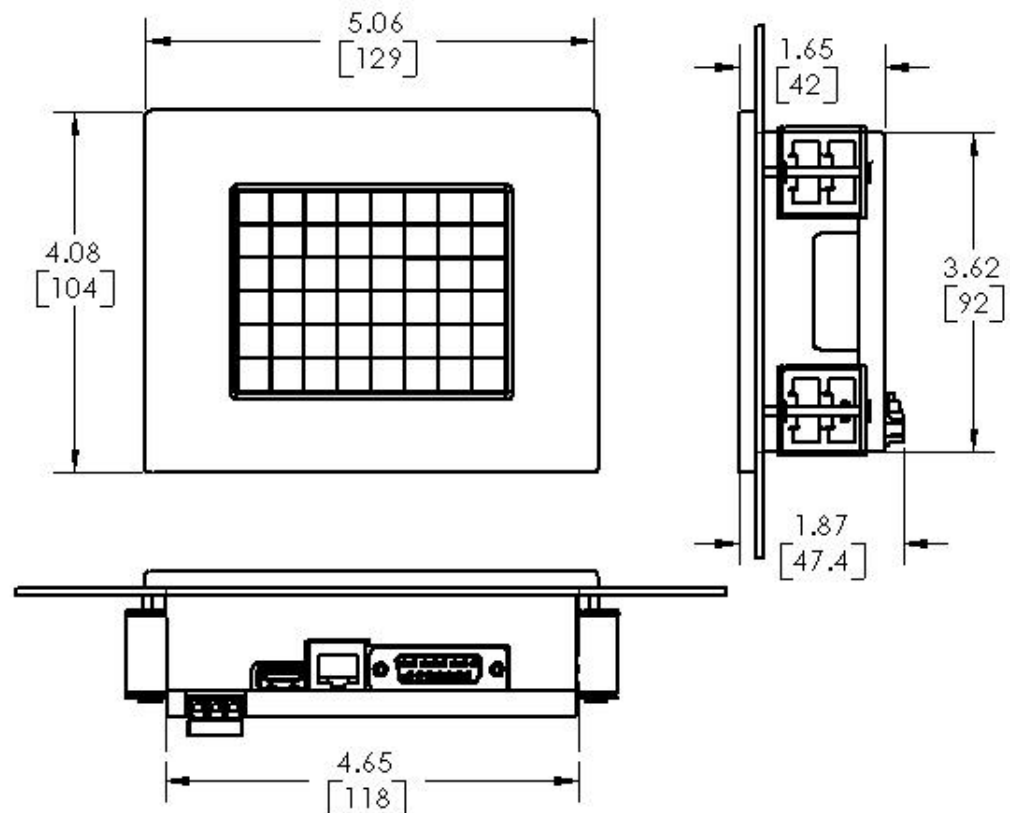
- 400 NITs, 75K Hrs @ 55°C
- 320 x 240 screen resolution
- 3.5" diagonal color TFT
- 128 Colors
- Patented HMI on-line edit, No downtime
- Best looking objects and animation.
- On-Screen Recipe Edit.
- Remote Monitoring and Control, Smart phones & Ethernet.
- Communicate to all PLCs, including EtherNet/IP.
- Dual PLC Drivers with automatic tag conversion.
- Mfr. cost reduction & IP protection for qualified customers.
- Most Rugged 0.090" thick anti-glare touch screen.
- Fastest touch response time of any HMI.
- Unique Visibility tag for best screen space utilization.
- Unicode for multiple languages.
- Easiest Programming Software, design time in hrs not days.
- Full Project simulation on your PC. Custom start-up screen.
- "C level" scripting and logic expressions.
- Most advanced Alarm management and logging.
- Pass-through programming for all PLCs.



Model Number	Interface	Price	Del.
EZ-T4C-FS	All serial drivers (non-expandable)	See Web	STK
EZ-T4C-FE	Ethernet IP, EZ IP, Modbus TCP/IP, SRTP, Koyo ECOM and TCP/IP for programming		STK

Notes:

1. These panels do not have a built-in Real-time clock and program back-up battery as the user program stored in flash
2. They do not have the option for use of Network cards such as DH+ or Profibus
3. These panels do not need RMC card for Remote Monitoring and Control, as this function can be performed over either built-in Ethernet port or Serial port



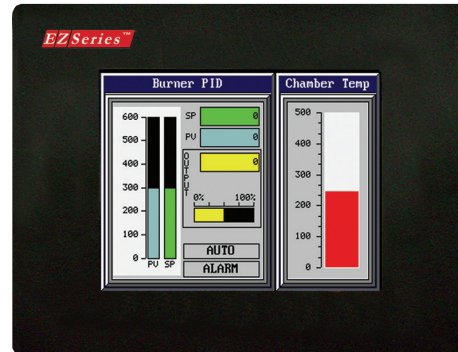
Proudly Made in America

EZTouch Original 6" TFT Color Panels

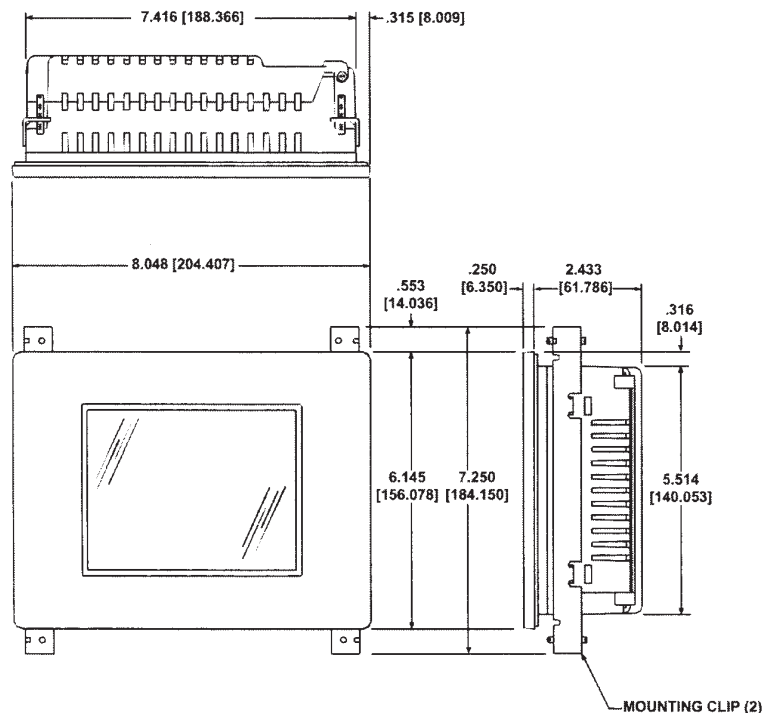
(Great Replacement for PanelView 550, 600 with DH+/RIO)

EZTouch Original feature:

- 400 NITs, 75K Hrs @ 55°C
- 320 x 240 screen resolution
- 5.7" diagonal color TFT
- 128 Colors
- Patented HMI on-line edit, No downtime
- Only HMI that can still talk to AB's DH+/RIO, DeviceNet, MB+, Siemens with Profibus and Mitsubishi with CCLink
- Best looking objects and animation.
- On-Screen Recipe Edit.
- Remote Monitoring and Control
- Communicate to all PLCs, including DH+/RIO.
- Dual PLC Drivers with automatic tag conversion.
- Mfr. cost reduction & IP protection for qualified customers.
- Most Rugged 0.090" thick anti-glare touch screen.
- Fastest touch response time of any HMI.
- Unique Visibility tag for best screen space utilization.
- Unicode for multiple languages.
- Easiest Programming Software, design time in hrs not days.
- Full Project simulation on your PC. Custom start-up screen.
- "C level" scripting and logic expressions.
- Most advanced Alarm management and logging.
- Pass-through programming for all PLCs.



Model Number	Interface	Price	Del.
EZ-T6C-FS	All serial drivers and accepts Ethernet and network cards	See Web	STK
EZ-T6C-FSD	DeviceNet		3DAY
EZ-T6C-FSE	AB Ethernet I/P		3DAY
EZ-T6C-FSH	DH+, Remote I/O		3DAY
EZ-T6C-FSM	Modicon MODBUS Plus		3DAY
EZ-T6C-FSP	Profibus		3DAY
EZ-T6C-FST	MODBUS TCP/IP		3DAY
EZ-T6C-FSC	CCLink		3DAY
EZ-T6C-FSU	Universal Ethernet drivers - DF1, I/P, Modbus TCP/IP, SRTIP		3DAY
EZ-T6C-RMC	RMC card installed		3DAY



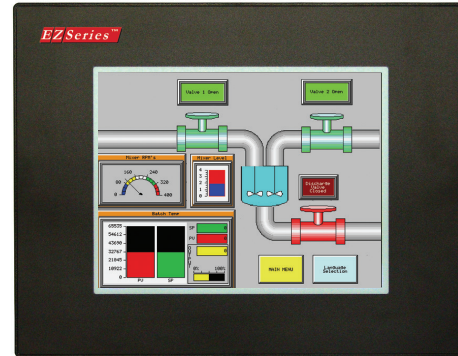
Proudly Made in America

EZTouch Original 8" TFT Color Panels

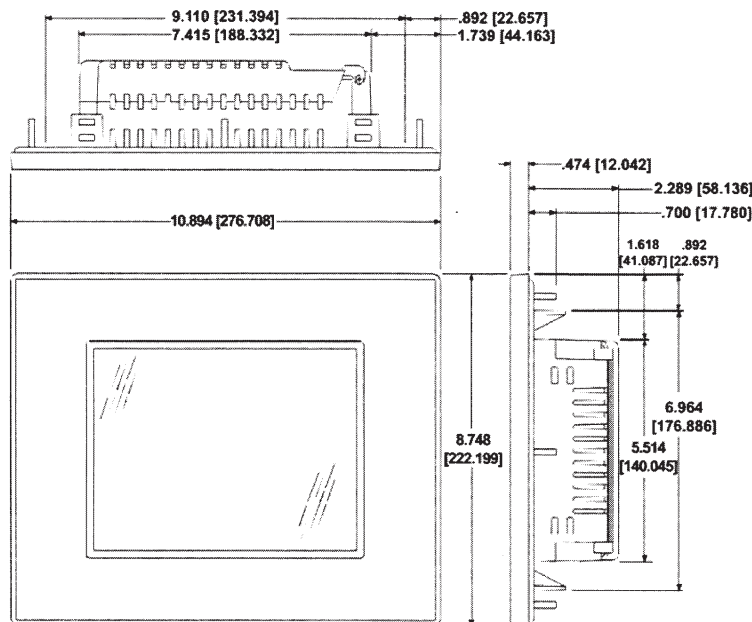
(Great Replacement for PanelView 700, 900 with DH+/RIO)

EZTouch Original feature:

- 400 NITs, 75K Hrs @ 55°C
- 800 x 600 screen resolution
- 8.4" diagonal color TFT
- 128 Colors
- Patented HMI on-line edit, No downtime
- Only HMI that can still talk to AB's DH+/RIO, DeviceNet, MB+, Siemens with Profibus and Mitsubishi with CCLink
- Best looking objects and animation.
- On-Screen Recipe Edit.
- Remote Monitoring and Control
- Communicate to all PLCs, including DH+/RIO.
- Dual PLC Drivers with automatic tag conversion.
- Mfr. cost reduction & IP protection for qualified customers.
- Most Rugged 0.090" thick anti-glare touch screen.
- Fastest touch response time of any HMI.
- Unique Visibility tag for best screen space utilization.
- Unicode for multiple languages.
- Easiest Programming Software, design time in hrs not days.
- Full Project simulation on your PC. Custom start-up screen.
- "C level" scripting and logic expressions.
- Most advanced Alarm management and logging.
- Pass-through programming for all PLCs.



Model Number	Interface	Price	Del.
EZ-T8C-F	All serial drivers and accepts Ethernet and network cards	See Web	STK
EZ-T8C-FD	DeviceNet		3DAY
EZ-T8C-FE	AB Ethernet I/P		3DAY
EZ-T8C-FH	DH+, Remote I/O		3DAY
EZ-T8C-FM	Modicon MODBUS Plus		3DAY
EZ-T8C-FP	Profibus		3DAY
EZ-T8C-FT	MODBUS TCP/IP		3DAY
EZ-T8C-FC	CCLink		3DAY
EZ-T8C-FSU	Universal Ethernet drivers - DF1, I/P, Modbus TCP/IP, SRTP		3DAY
EZ-T8C-RMC	RMC card Installed		3DAY



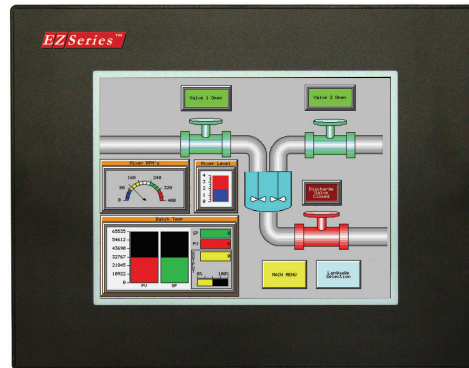
Proudly Made in America

EZTouch Original 10" TFT Color Panels

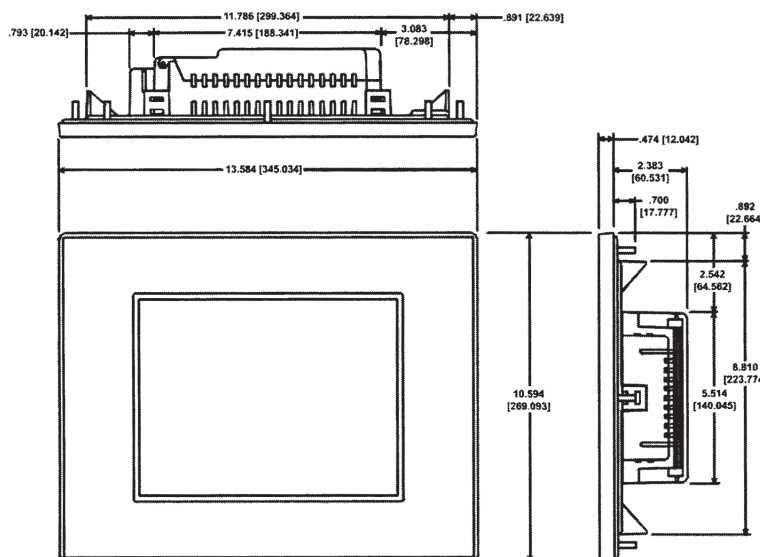
(Great Replacement for PanelView 1000, 1000E with DH+/RIO)

EZTouch Original feature:

- 400 NITs, 75K Hrs @ 55°C
- 800 x 600 screen resolution
- 10.4" diagonal color TFT
- 128 Colors
- Patented HMI on-line edit, No downtime
- Only HMI that can still talk to AB's DH+/RIO, DeviceNet, MB+, Siemens with Profibus and Mitsubishi with CCLink
- Best looking objects and animation.
- On-Screen Recipe Edit.
- Remote Monitoring and Control
- Communicate to all PLCs, including DH+/RIO.
- Dual PLC Drivers with automatic tag conversion.
- Mfr. cost reduction & IP protection for qualified customers.
- Most Rugged 0.090" thick anti-glare touch screen.
- Fastest touch response time of any HMI.
- Unique Visibility tag for best screen space utilization.
- Unicode for multiple languages.
- Easiest Programming Software, design time in hrs not days.
- Full Project simulation on your PC. Custom start-up screen.
- "C level" scripting and logic expressions.
- Most advanced Alarm management and logging.
- Pass-through programming for all PLCs.



Model Number	Interface	Price	Del.
<i>EZ-T10C-FS</i> <i>EZ-T10C-F</i>	All serial drivers and accepts optional Ethernet and network cards	See Web	STK
<i>EZ-T10C-FSD</i> <i>EZ-T10C-FD</i>	DeviceNet		3DAY
<i>EZ-T10C-FSE</i> <i>EZ-T10C-FE</i>	AB Ethernet I/P		3DAY
<i>EZ-T10C-FSH</i> <i>EZ-T10C-FH</i>	DH+, Remote I/O		3DAY
<i>EZ-T10C-FSM</i> <i>EZ-T10C-FM</i>	Modicon MB+		3DAY
<i>EZ-T10C-FSP</i> <i>EZ-T10C-FP</i>	Profibus		3DAY
<i>EZ-T10C-FST</i> <i>EZ-T10C-FT</i>	MODBUS TCP/IP		3DAY
<i>EZ-T10C-FSC</i> <i>EZ-T10C-FC</i>	CCLink		3DAY
<i>EZ-T10C-FSU</i> <i>EZ-T10C-FU</i>	Universal Ethernet drivers - DF1, I/P, Modbus TCP/IP, SRTP		3DAY
<i>EZ-T10C-RMC</i>	RMC card Installed		3DAY



NOTE: Both "F" & "FS" models have same specifications

Proudly Made in America